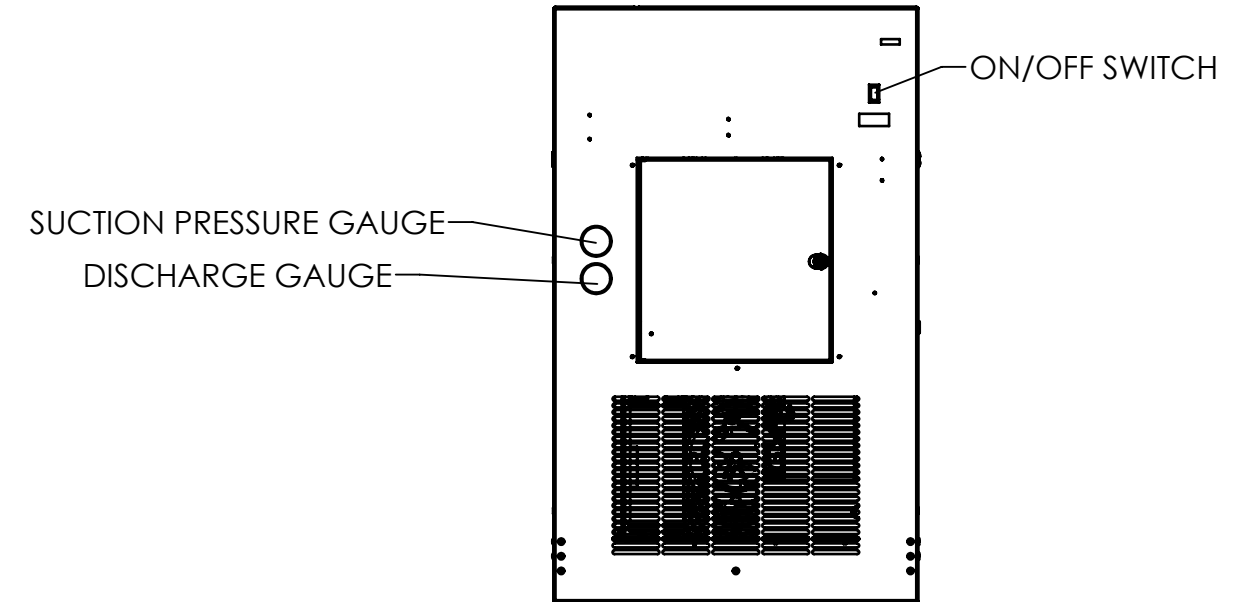
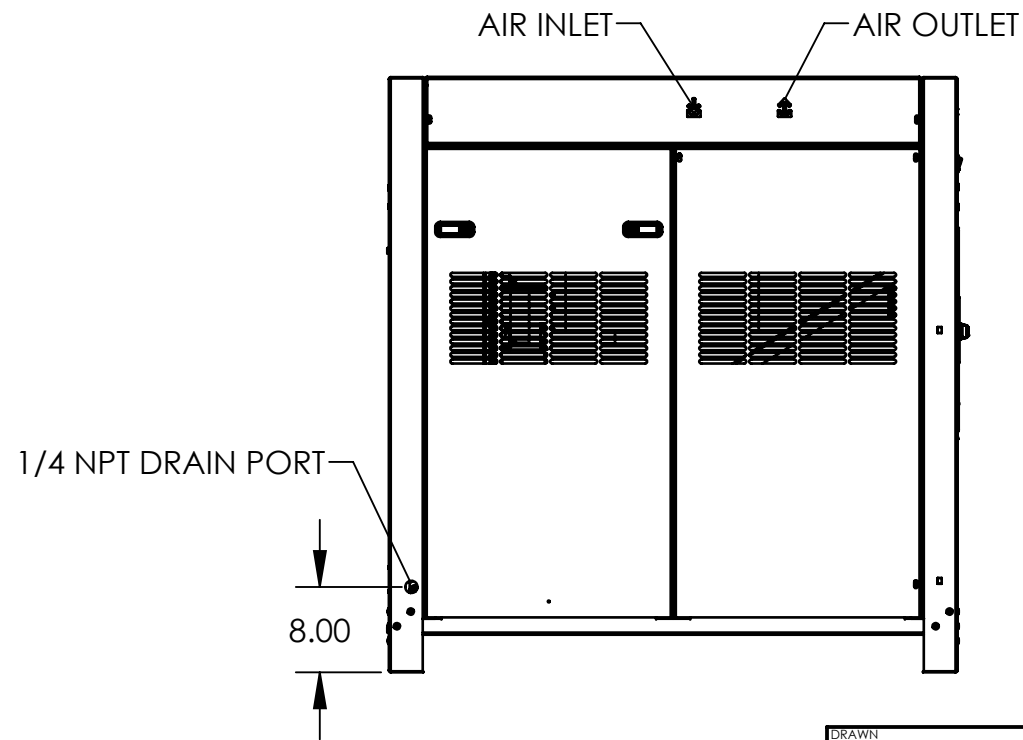
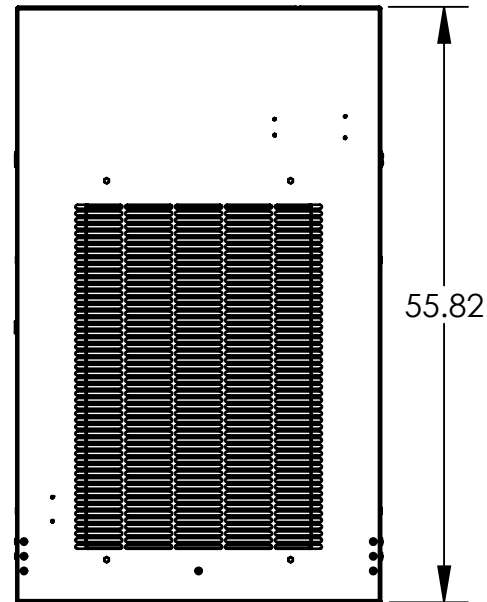
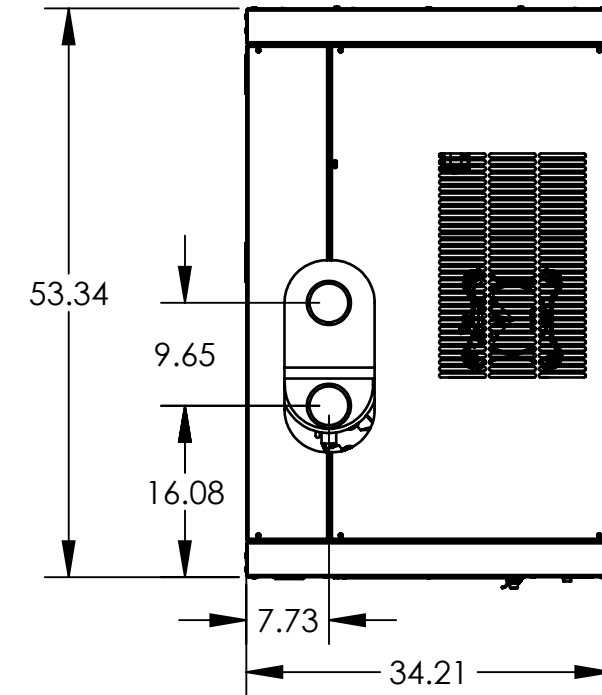
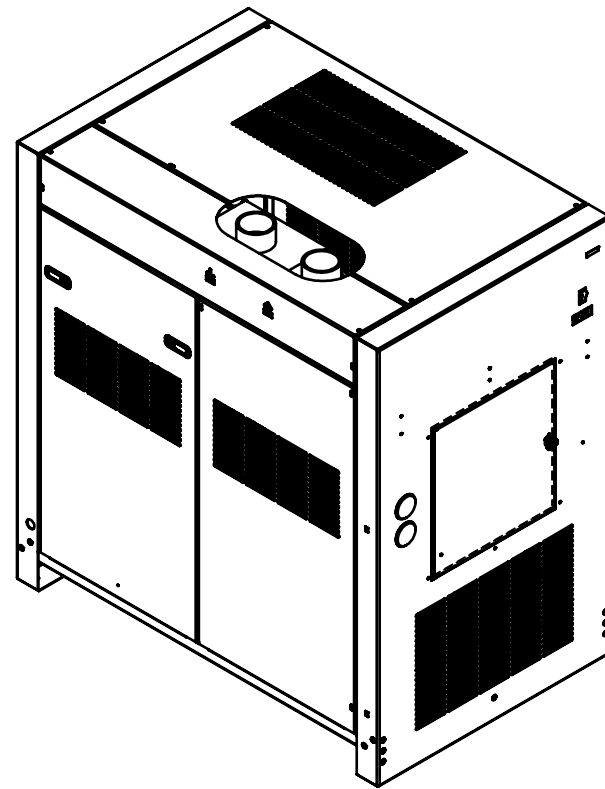


MODEL	RAD-01000A-5
VOLTAGE	575V-3PH-60HZ
RLA	8.1
LRA	40
MCA	7.3
MOP	20
COMPRESSOR HP	6
COMPRESSOR	SCROLL
REFRIGERANT	R449A
REFRIGERANT CHARGE (OZ)	144
MAX INLET AIR TEMP (F)	140
MAX INLET AIR PRESSURE (PSI)	232
MIN/MAX AMBIENT TEMP (F)	45/120
REFRIGERANT PRESSURE RANGE (PSI)	181/450
INLET/OUTLET PORT (NPT)	3
WEIGHT(LB)	600



DRAWN	J. GAMBLE
APPROVED	-
DATE	10/20/2022
MATERIAL	
FINISH	

UNLESS OTHERWISE NOTED, TOLERANCES ARE:  
 FRACTIONS:  $\pm 1/16$  ANGLES:  $\pm 0^{\circ}30'$   
 DECIMAL: .X =  $\pm .06$  | .XX =  $\pm .03$  | .XXX =  $\pm .015$  | .XXXX =  $\pm .0030$   
 MACHINED SURFACES: 125 MICROINCHES  
 THESE TOLERANCES DO NOT APPLY TO BASIC DIMENSIONS.

DO NOT SCALE THIS PRINT, REMOVE ALL BURRS & SHARP EDGES, ALL DIMENSIONS ARE IN INCHES.  
 CAD SOFTWARE: SOLIDWORKS.  
 DRAWING DIMENSIONED TO ALTEC STANDARD: CDS-0007.

**Atec | AIR**  
 226A COMMERCE ST, BROOMFIELD, CO 80020

TITLE: DRYR-REFRIG; NON-CYCL; 1000 SCFM; 575V/3PH; 60 HZ				
SCALE	WEIGHT	SIZE	NUMBER	REV
1:18		2	100520476	A